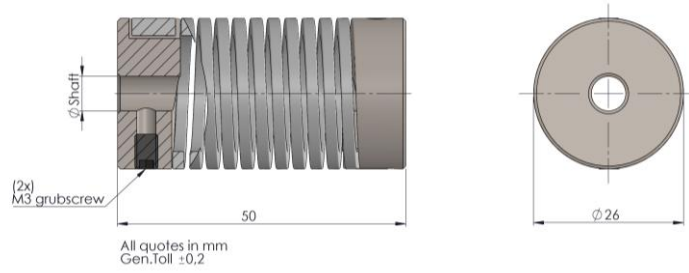
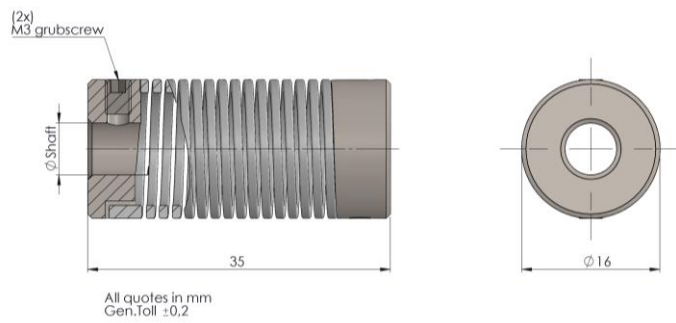


Couplings

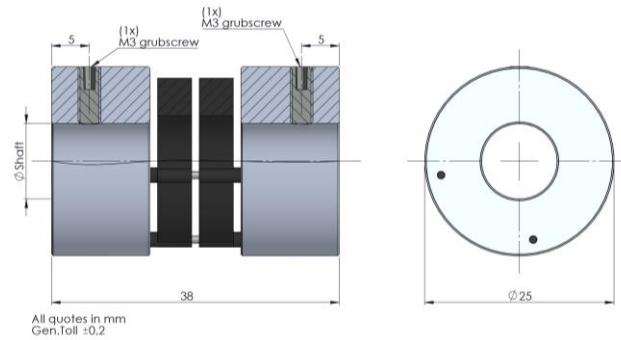
9401 Spring Coupling



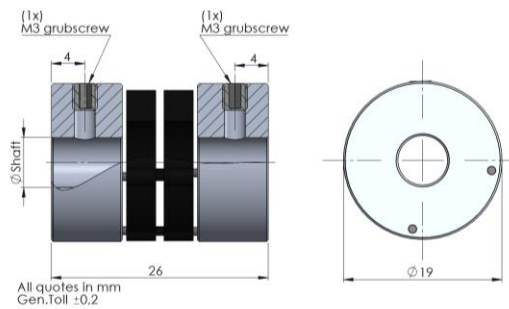
9402 Spring Coupling



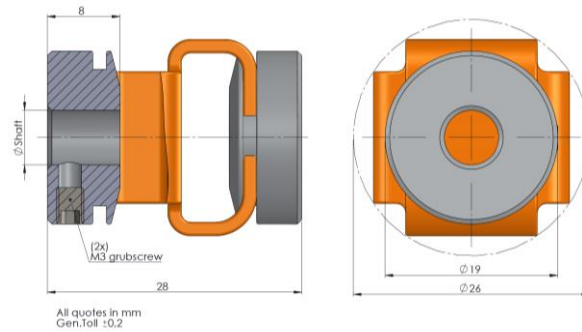
9406 Anti torsion



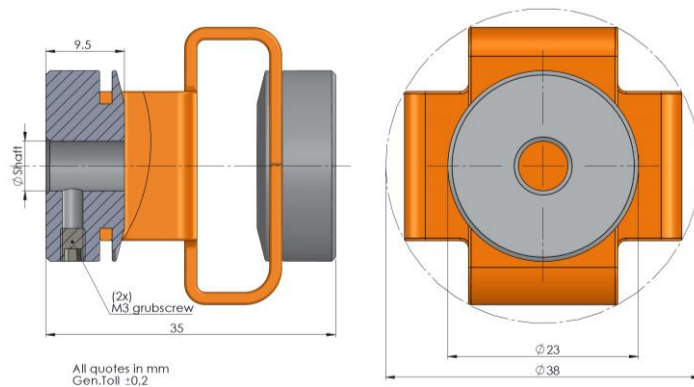
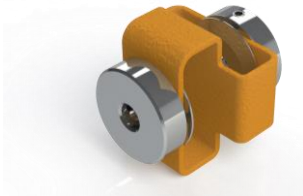
9403 Anti torsion



94FLX01 Coupling with plastic PUR element



94FLX02 Coupling with plastic PUR element



Mechanics Data

Coupling	Dimensions (mm)	Ø1 (mm)	Ø2 (mm)	Torque (Nm)	Misalignment			RPM	Inertia (gcm ²)	Weight (g)
					Rad (mm)	Axi (mm)	Ang (°)			
9401	50x26	6→14	6→14	1.5	1.5	1.0	5	3000	12	100
9402	35x16	4→10	4→10	0.5	1.0	1.0	5	3000	1.2	28
9406	38x25	6→12	6→12	2.0	0.5	0.3	1	22000	28	30
9403	26x19	6→10	6→10	1.4	0.4	0.3	1	25000	9	11
94FLX01	28x26	6→10	6→10	0.5	2.6	1.2	10	3000		20
94FLX02	35x38	6→12	6→12	1.5	3.2	2	10	3000		30

Ordering code

****	/	*	/	*
Coupling		Diameter 1 (mm)		Diameter 2 (mm)

Ex: 9401/6/10 9403/6/9.52 94FLX01/6/6