

Series R

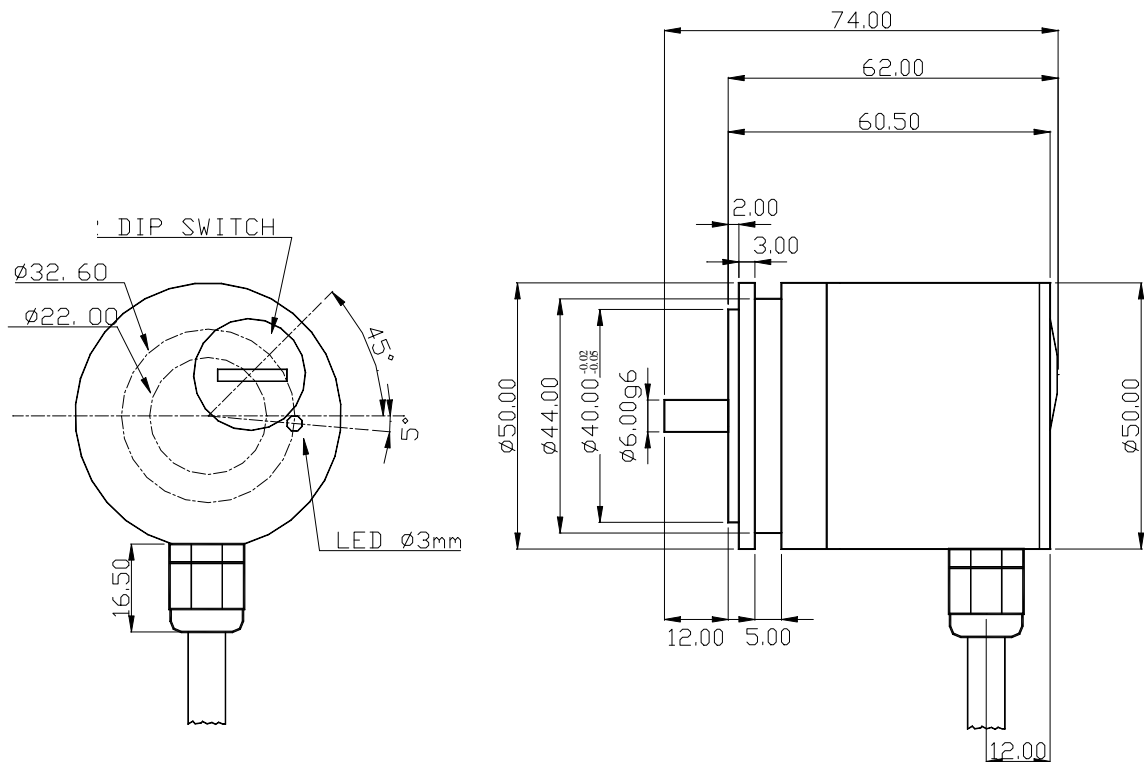
Absolute shaft encoder single turn (ø50mm) with selection resolution right to application on turret tool holder.

Mechanics Data

Cover :	Aluminium
Body :	Aluminium
Solid shaft:	Stainless steel
Bearings:	2, ball races
Weight:	250gr.
Protection:	IP65
Rpm:	6000 Max
Torque:	5Ncm
Inertia:	100gcm ²
Shaft loading:	Axial 100N - Radial 100N (the value decrease when the number of pulses increase)



Dimensions in mm



Series R

Electronics Data

Power supply: from 5 to 24V depends on the electronics circuit
 Current consumption: 40/80mA depends on the electronics circuit
 Permissible load: 40mA
 Frequency: 50KHz (standard in LSB)
 Protections: Against short circuit, reversal polarity
 Operating Temp.: -20/+60°C

Ordering code

Series **R** - * 3 * * * * / **Pulses** (Max 256)

Shaft	Code/Outputs	Connections	Connector	Options
3 = Ø 6mm	2 = Gray/Binary PP 11/24V 3 = Gray/Binary TTL 5V	1 = Cable	R = Radial	0 = None

Connections

Code: Gray/Binary	0 Volt	+ Volt	0 2	1 2	2 2	3 2	4 2	5 2	6 2	7 2
Cable	B L A C K	B L U E	B R O W N	B E I G E	G R E E N	Y E L L O W	P I N K	V I O L E T	O R A N G E	T R A N S P A R

The U/D and G/B option can be selected through the Dip-Switch accessible through the advanced stopper.

