

Series BH

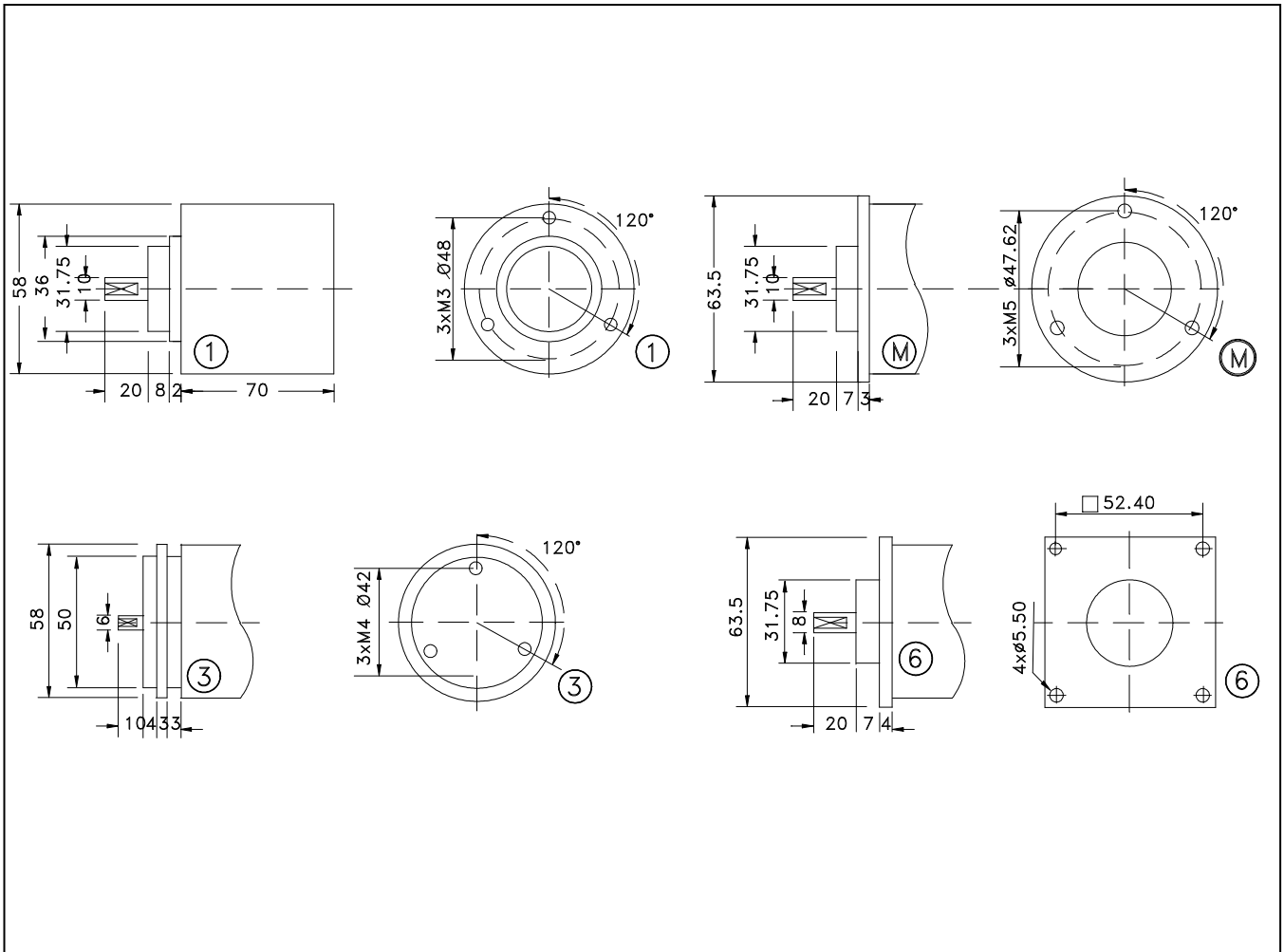
Incremental shaft encoder,
high settlement

Mechanics Data

Cover:	Aluminium
Body:	Aluminium
Solid shaft:	Stainless steel
Bearings:	2, ballraces
Weight:	Approx.300gr.
Protection:	IP65
Rpm:	6000 Max
Torque:	5Ncm
Inertia:	100gcm ²
Shaft loading:	Axial 100N - Radial 100N (the value decrease when the number of pulses increase)

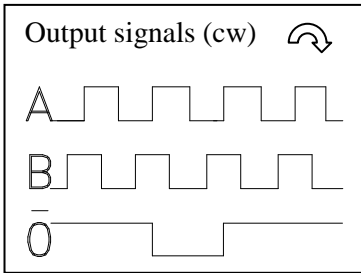


Dimensions in mm



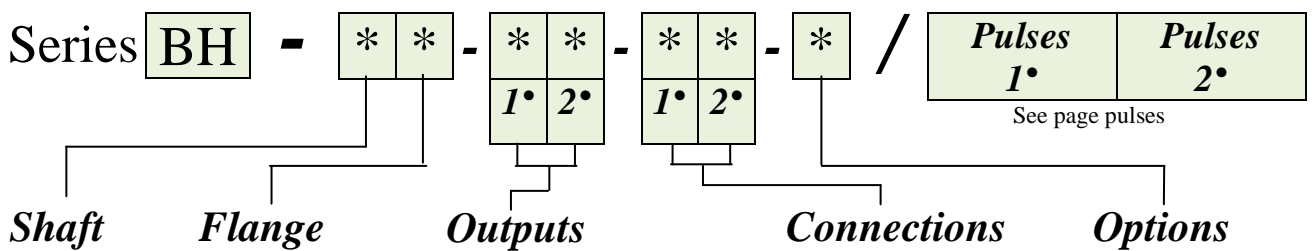
Series BH

Electronics Data



Power supply: from 5 to 24V depends on the electronics circuit
 Current consumption: 40/80mA depends on the electronics circuit
 Permissible load: 40mA
 Frequency: to 600KHz depends on the electronics circuit (100 KHz sinusoidal version)
 Protections: Against short circuit, reversal polarity
 Operating Temp.: -20/+60°C (-30/+100°C) on request
 0/+60° sinusoidal version

Ordering code



3 = Ø6mm
 6 = Ø8mm
 4 = Ø9.52mm
 1 = Ø10mm
 A richiesta
 2 = Ø12mm

1 = see page drawing
 3 = see page drawing
 6 = see page drawing
 M = see page drawing

2 = AB₋ PP11/28V
 3 = AB₀ PP11/28V
 N = AB+AB PP11/28V
 P = AB₀+AB₀ PP11/28V
 5 = AB+AB LD5V
 6 = AB₀+AB₀ LD5V
 8 = AB+AB LD5/12V
 9 = AB₀+AB₀ LD5/12V

X = single connector
 2 = 9414 Rad.
 0 = 9414 Axial
 3 = Cavo Rad.
 9 = Cavo Axial
 4 = 9418 Rad. (1)
 6 = 9418 Axial (1)
 5 = 9416 Rad.
 E = 9416 Axial
 7 = 9419 Rad. (1)
 8 = 9419 Axial (1)
 S = 9426 Rad. (1)
 T = 9426 Axial (1)

S = Separate power
 C = Common power
 1 = High zero pulse for both pulses number

1° = First bicoder section
 2° = Second bicoder section
 (1) can't use two adjacent connector

Connections

	0 Volt	+ Volt	A	B	A ₋	B ₋	0	0 ₋
Cable 5 Pole	White	Brown	Green	Yellow			Gray	
Cable 8 Pole	Black	Blue	Brown	Beige	Green	Yellow	Pink	Violet
Connector 9414	Pin1	Pin2	Pin3	Pin4				Pin5
Connector 9416	Pin1	Pin2	Pin3	Pin4	Pin5	Pin6	Pin7	Pin8
Connector 9418	PinA	PinB	PinC	PinD	PinE	PinF		PinG
Connector 9419	PinA	PinB	PinC	PinD	PinE	PinF	PinG	PinH
Connector 9426 (for single connection)	Pin1	Pin2	Pin3	Pin4	Pin5	Pin6	Pin7	Pin8
	Pin9	Pin10	Pin11	Pin12	Pin13	Pin14	Pin15	Pin16