

IMS
IMM



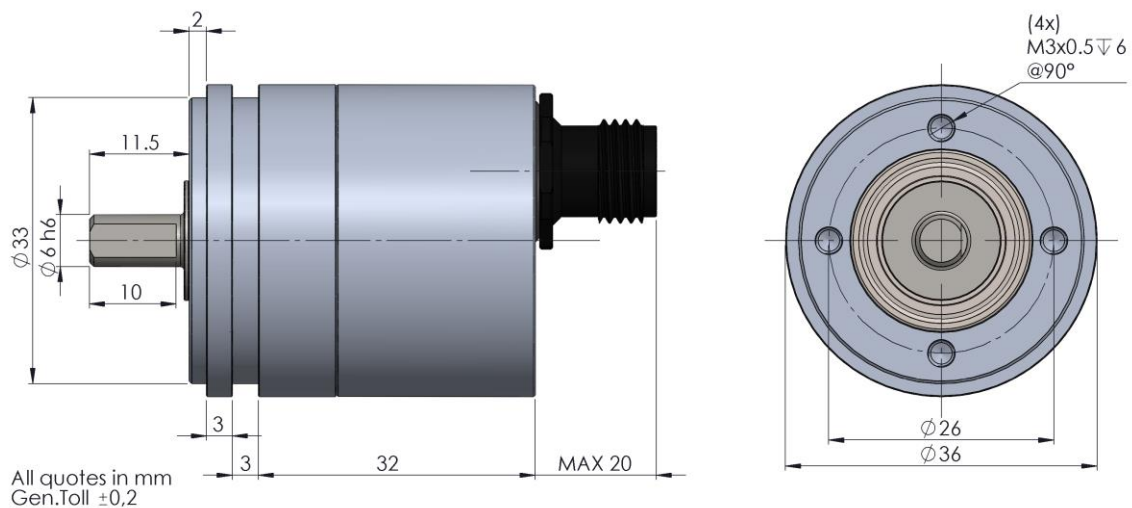
Magnetic absolute encoder single turn and multiturn, solid shaft , blind hollow shaft and hollow shaft; SSI or analogue; $\varnothing 36\text{mm}$

Mechanics Data

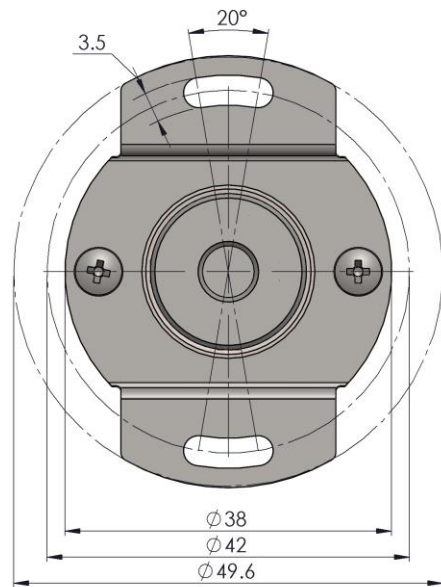
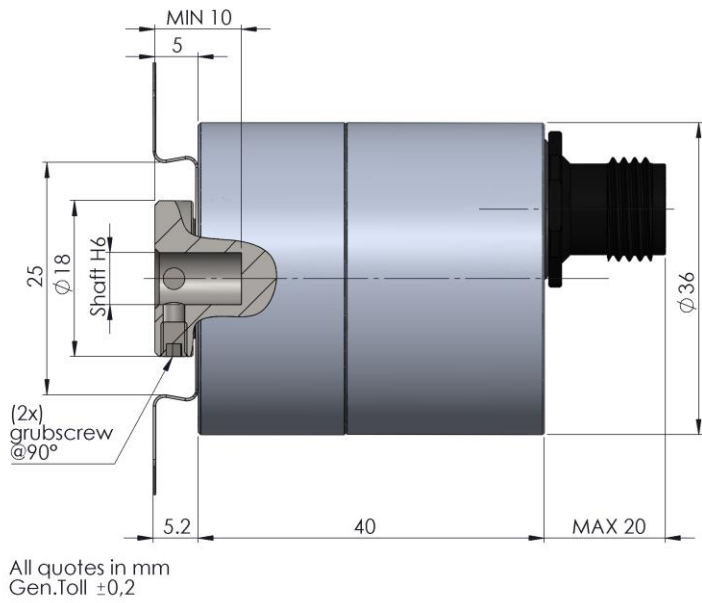
Cover:	Aluminum
Body:	Aluminum
Shaft:	Stainless steel
Bearings:	2 a sfere / ballraces
Weight:	200gr
IP Protection:	IP65
RPM:	6000 Max
Torque:	3Ncm
Inertia:	5gcm ²
Shaft Loading:	Axi 30N - Rad 30N



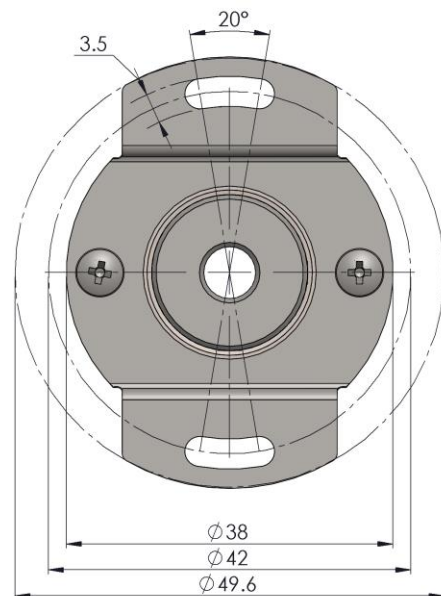
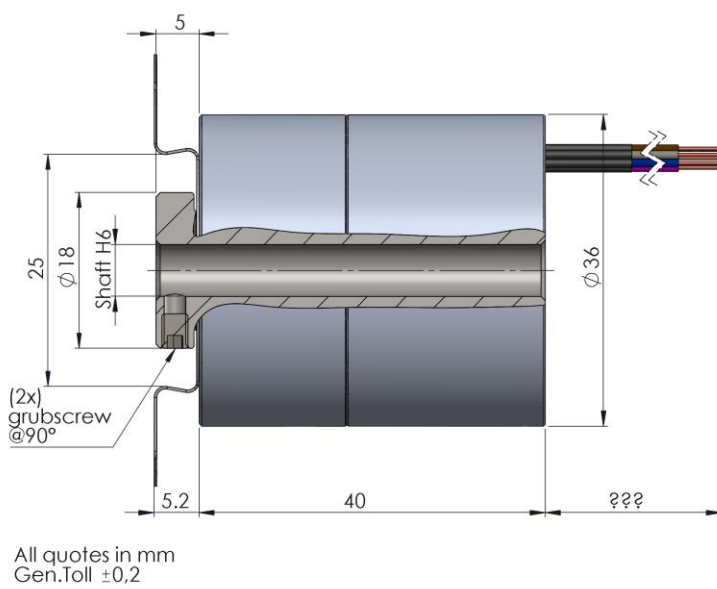
Solid shaft



Blind Hollow shaft



Hollow shaft



IMS-IMM

SSI

Resolution: Single turn max 16 Bit Multiturn 32 bit
(16 Bit ST - 16bit MT)

Power Supply: 10-28V +/- 5%

Current Cons. Max 80mA

Interface SSI

Monoflop 20usec

Output Data: RS422

Type of Code: Gray / Binary

Preset: Connect to +Volt for 2 sec to
Preset encoder on "0" position.

Operating temperature: Standard -20 / +70°C

ANALOG

Range: Single Turn 1ramp/ turn

Resolution: 12 bit

Power Supply: 24VDC +/- 5%

Current consumption: Max 80mA

Outputs : 4-20mA / 0-10V

Operating Temp: -20/+70°C

Ordering code

***	*	*	*	*	*	*	/** / **		
Series	Shaft	Flanges	Output	Connections	Options	BIT / BIT			
Solid shaft									
IMS Singleturn	6 = ø6mm	1	3 = SSI Gray 4 = SSI Binary	SSI S = M12 8p Axi T = M12 8p Rad 3 = Cable Rad 9 = Cable Axi (for hollow shaft, single wires)	0= None	Single Turn	Multi Turn		
IMM Multiturn			Analog Version <u>only</u> IMS – Power supply 24VDC A = Analog 4-20mA V = Analog 0-10V			SSI 13 16	SSI 12 16		
Blind Hollow shaft									
IMS Singleturn	A = ø6mm B = ø8mm C = ø10mm	8	3 = SSI Gray 4 = SSI Binary			ANALOG J = M12 5p Axi K = M12 5p Rad 3 = Cable Rad 9 = Cable Axi (for hollow shaft, single wires)		CAN 12 14	CAN 12 18
IMM Multiturn			ANALOG R1 = 1 ramp/turn						
Hollow shaft									
IMS Singleturn	A = ø6mm B = ø8mm C = ø10mm	9	3 = SSI Gray 4 = SSI Binary						

Connections

Analog		0V	+V	Iout	Vout	nc	U/D		
	Connector 94M12 5P	Pin1	Pin2	Pin3	Pin3	Pin4	Pin5		
	Cavo/ Cable 5p	White	Brown	Green	Green		Gray		
SSI		0V	+V	Clock+	Clock-	Data+	Data-	Preset	nc
	Connector 94M12 8P	Pin1	Pin2	Pin3	Pin4	Pin5	Pin6	Pin7	Pin8
	Cavo/ Cable 8p	Black	Blue	Brown	Beige	Green	Yellow	Pink	